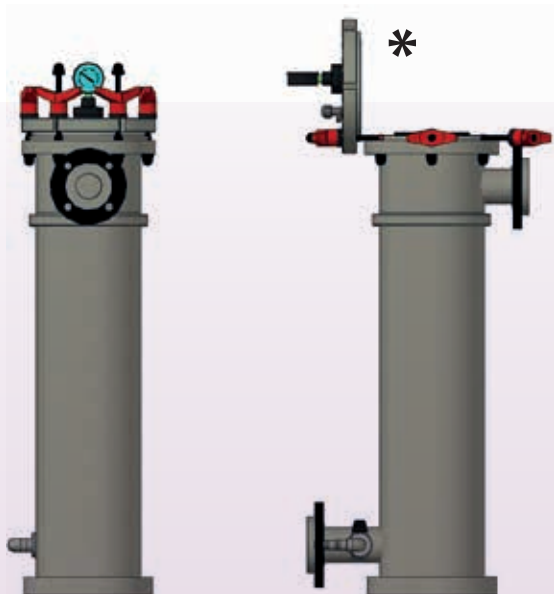


ADVANTAGES

- Rugged construction
- Inert at chemicals
- Interchangeability bag filters and cartridges High Flow CH

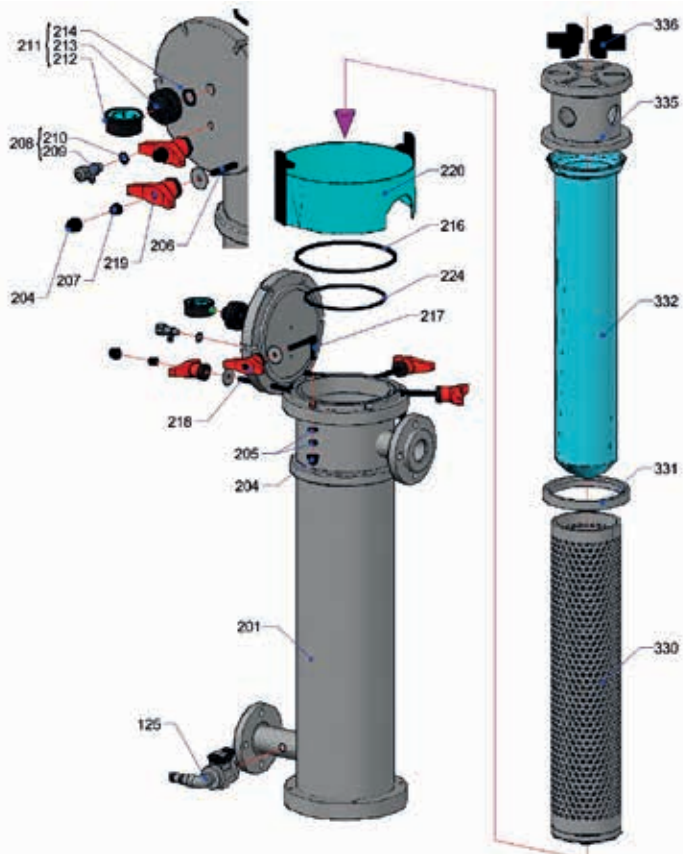
FEATURES

- PP solid monoblocc body
- PP and PVDF versions
- Swing bolts closure system with swing bolts
- Til lid
- Filter body inlet
- Union or flanged connections
- SIZE 1-2-4 bags availability
- Tmax exercise PP 85°C-PVDF 100°C
- Pmax exercise: 6 Bar @ 20°C
- Pressure Gauge



IDENTIFICATION CODE

SERIES	HOUSING MATERIAL	VERSION	BAG SIZE	IN Position (respect lid opening side)*	OUT Position (respect lid opening side)*	IN/OUT Dimensions OD mm	CONNECTION TYPE	O-Rings	OPTIONALS
FB	P = PP V = PVDF	T = Top S = Side	1 = Size 1 2 = Size 2 4 = Size 4	A = 180° B = 0° C = 90° D = 270°	A = 180° B = 0° C = 90° D = 270° E = Bottom outlet	25 32 40 50 63 75 90	BC = Union with PVC socket BF = Union with PVDF socket BP = Union with PP socket FA = ANSI Flanges FI = ISO Flanges FJ = JIS Flanges	E = EPDM V = Viton T = FEP	D = Digitale Pressure Gauge I = Lid Interlock safety sensor P = Connection to measure housing pressure differential



DESCRIPTION

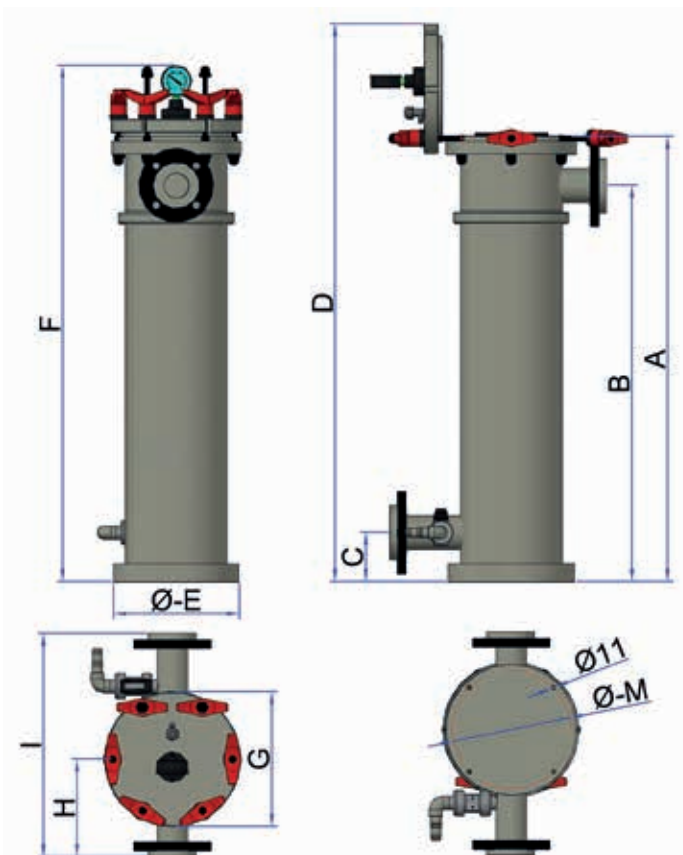
125	Drain valve	215	Lid
201	Filter body	216	Lid gasket
204	PP nut cap	217	Short swing bolts
205	Nut & washer	218	Knob close two lobes
206	Long swing bolts	219	Knob open two lobes
207	Blind nut	220	Splash proof lid ring
208	Vent valve assembly	224	O-ring cantering ring
209	Vent valve	330	Basket filter bag
210	O-Ring	331	Centering ring filter bag
211	Pressure gauge assembly	332	Filter bag
212	Pressure gauge	335	Press bag holder
213	Guard	336	Spring press bag
214	O-Ring		

PP FILTER HOUSING

Type	1840			1880		
	63F	75F	90F	63F	75F	90F
A	700	700	700	1030	1030	1030
B	585	585	585	915	915	915
C	110	110	125	110	110	125
D	970	970	970	1300	1300	1300
Ø E	315	315	315	315	315	315
F	885	885	885	1215	1215	1215
G	315	315	315	315	315	315
H	210	210	225	210	210	225
I	480	480	495	480	480	495
Ø M	271	271	271	271	271	271

PVDF FILTER HOUSING

Type	1840			1880		
	63F	75F	90F	63F	75F	90F
A	665	665	665	995	995	995
B	555	555	555	995	995	995
C	110	110	125	110	110	125
D	925	925	925	1255	1255	1255
Ø E	280	280	280	280	280	280
F	830	830	830	1160	1160	1160
G	290	290	290	290	290	290
H	210	210	210	210	210	210
I	480	480	480	480	480	480
Ø M	255	255	255	255	255	255



LAFONTE.EU may modify data any time, without notice, in order to get product enhancement