

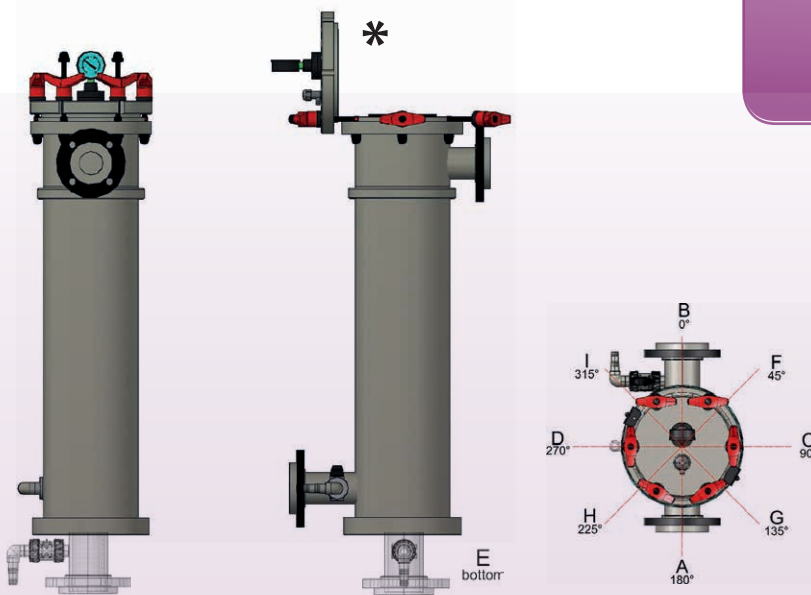


ADVANTAGES

- Rugged construction
- Inert at chemicals
- Interchangeability bag filters and cartridges High Flow CH

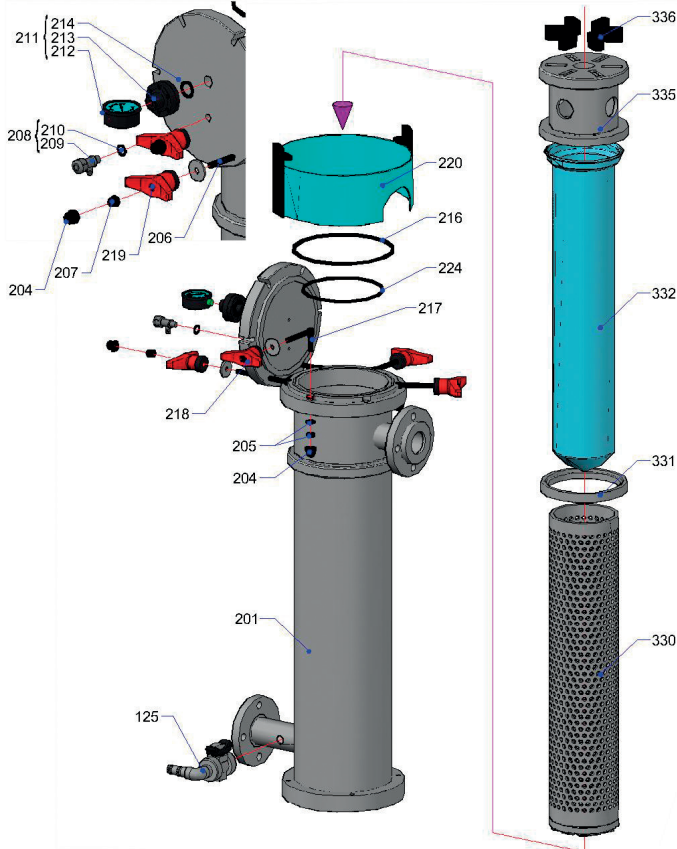
FEATURES

- PP solid monoblocc body
- PP and PVDF versions
- Swing bolts closure system with swing bolts
- Til lid
- Side filter body inlet
- Union or flanged connections
- SIZE 1-2-4 bags availability
- Tmax exercise PP 85°C-PVDF 100°C
- Pmax exercise: 6 Bar @ 20°C
- Pressure Gauge



IDENTIFICATION CODE

SERIES	MATERIAL	VERSION	BAG	IN Position (related to the tilted)*	OUT Position (related to the tilted)*	IN/OUT Dimensions (mm)	CONNECTION TYPES	O-RINGS	OPTIONALS
FB	P = PP V = PVDF	S = Side	1 = Size 1 2 = Size 2 4 = Size 4	A = 180° B = 0° C = 90° D = 270° F = 45° G = 135° H = 225° I = 315°	A = 180° B = 0° C = 90° D = 270° E = on the bottom F = 45° G = 135° H = 225° I = 315°	25 32 40 50 63 75 90 110	BC = Union with PVC socket BF = Union with PVDF socket BP = Union with PP socket FA = ANSI Flanges FI = ISO Flanges FJ = JIS Flanges	E = EPDM V = Viton T = FEP	D = Digitale Pressure Gauge I = Lid Interlock safety sensor P = Connection to measure housing pressure differential
FB	P	S	2	A	B	50	BP	V	D



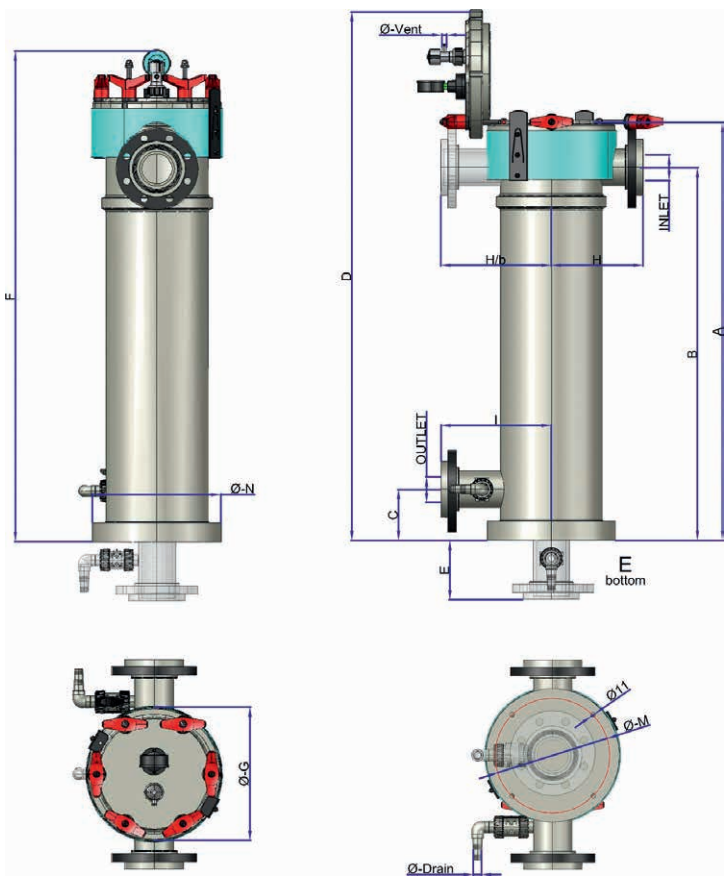
DESCRIPTION			
125	Drain valve	215	Lid
201	Filter body	216	Lid gasket
204	PP nut cap	217	Short swing bolts
205	Nut & washer	218	Knob close two lobes
206	Long swing bolts	219	Knob open two lobes
207	Blind nut	220	Splash proof lid ring
208	Vent valve assembly	224	O-ring cantering ring
209	Vent valve	330	Basket filter bag
210	O-Ring	331	Centering ring filter bag
211	Pressure gauge assembly	332	Filter bag
212	Pressure gauge	335	Press bag holder
213	Guard	336	Spring press bag
214	O-Ring		

FILTER BAG FB - PS

	Size 4	Size 1		Size 2	
	25F - 63F	40F - 75F	90F - 110F	40F - 75F	90F - 110F
A	575	700		1030	
B	485	585		915	
C	110	110	125	110	125
D	750	970		1300	
E	100	145		145	
F	790	935		1265	
Ø - G	220	315		315	
H	180	225		225	
H/b	210	270		270	
I	180	270		270	
Ø - M	186	271		271	
Ø - N	220	315		315	
Ø - Drain	12	20		20	
Ø - Vent	12	12		12	

FILTER BAG FB - VS

	Size 4	Size 1		Size 2	
	25F - 63F	40F - 75F	90F - 110F	40F - 75F	90F - 110F
A	575	680		1010	
B	485	555		885	
C	110	110	125	110	125
D	750	930		1260	
E	100	145		145	
F	790	895		1225	
Ø - G	220	315		315	
H	180	225		225	
H/b	210	270		270	
I	180	270		270	
Ø - M	186	271		271	
Ø - N	220	315		315	
Ø - Drain	12	20		20	
Ø - Vent	12	12		12	



LAFONTE.EU may modify data any time, without notice, in order to get product enhancement